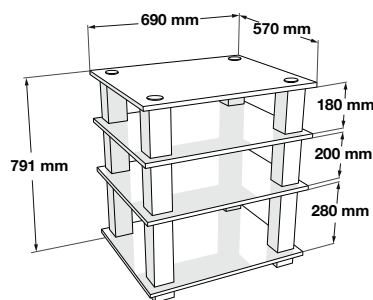


SQUARE HIFI

Provisional Information



DIMENSIONS



CHARACTERISTIC(S)



Shelves
additionnable



Additionnables
furniture

MAXIMUM SIZE / WEIGHT

TV
26³³
MAX

AU SOL
ON THE FLOOR

↓ 50/50/50/50 KG
MAX

COLOR(S)



Black/Brushed Alu 3760221803831
NORSQUABKP

DESCRIPTION

The Square Hifi is suitable for both hifi audiophiles and home theater systems. The 19 mm tempered glass shelves associated with brushed aluminium columns give the Square Hifi slight and contemporary aesthetic, very easy to integrate into all types of interiors. Its square architecture with decoupling spikes on each shelf explains the unshakable stability of this furniture. All elements are independent of each other, and allow you to change and compose your furniture as you wish. Its highly adaptable and robust design allow it to accommodate impressive devices such as turntables, home theater amplifier...

DESIGN

Structure : *Brushed aluminum*
Shelves : *black tempered glass*

MAXIMUM CHARGE

Top Shelf : *50kg*
Internal shelves : *50kg*

USEFUL DIMENSIONS

External dimensions (W x H x D) : *791 x 530 x 460 mm*
Small shelves height : *180 mm*
Average shelves height : *200 mm*
Large shelves height : *280 mm*

CONDITIONING

Delivered disassembled with screws, instructions and tools
necessary
mounting

Quantity / carton : *1*
Type : *Brown cardboard*
Dimensions (WxHxD) : *680 x 280 x 105 mm*
Gross / Net weight : *9.95 kg / 10.8 kg*

ECO-TAXE

DEEE (HT) : *Référence*
ECOMOB : *Référence*