



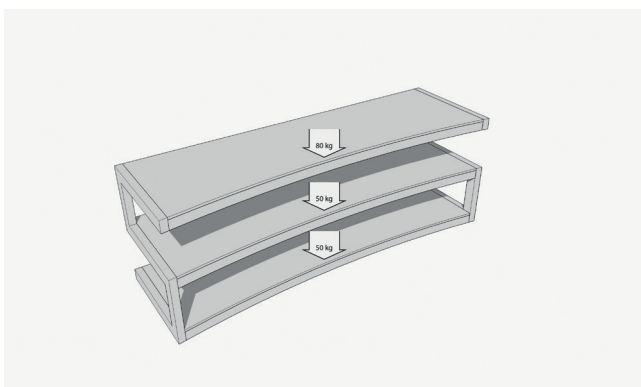
Esse Curve

The ESSE range known decline to remain a contemporary range of furniture . For this the ESSE Curve arrives to accompany the new curved screen generation.

Specially designed for curved screens, the ESSE Curve perfectly complements the popular range of NorStone . With its elegant black finish, the ESSE Curve compiles all the qualities required for the installation of a complete home theater system. Its robust architecture enables support any screen up to 60 inches, and the lower shelves can accommodate all your AV devices . This furniture marries perfectly the modern look of this new range of screen.



SPECIFICATIONS



DESIGN

Finishes: *Glossy Black / Black*

Structure: Glossy black powder coated steel

Étagères: Black tempered glass

MAXIMUM LOAD

Upper shelf: 80 kg

Internal shelves: 50 kg

USABLE DIMENSIONS

Overall dimensions (W x H x D) : 1500 x 529 x 460 mm

Shelves (W x Pmin/Pmax) : 1440 x 400/460 mm

Height between shelves : 189,5 mm

PACKAGING

Delivered disassembled with screws kit , mounting instructions and tools

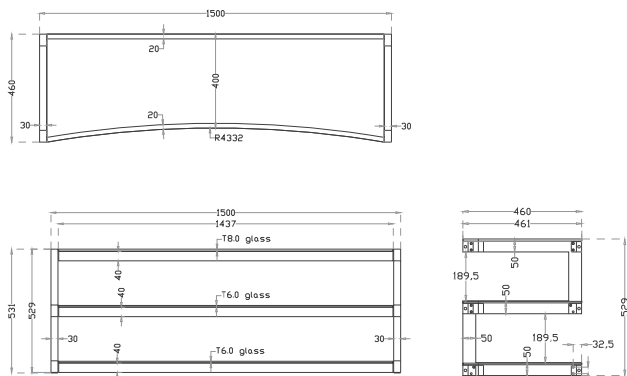
Quantity/box : 1 – **Type :** Brown cardboard

Dimensions (W x H x D) : 1530 x 155 x 550 mm

Gross Weight : 46,9 kg – **Net Weight :** 42,5 kg

SKU Code : NORESSCURBKBK

GenCodes : EsseCurve Black/Black 3760221803138



Features and presentations are subject to change without notice.

Also available

ESSE ESSE Mini ESSE Stand ESSE Hifi ESSE VINYL

