

RP78 Rega Planar 78

The RP78 has been designed and engineered to achieve outstanding performance way beyond the expectations of a product at this price point. Excellent build quality, reliability and ease of use combine to make a product which, if used correctly, will offer you a lifetime of musical enjoyment. Omitting unnecessary gimmicks allows us to concentrate the manufacturing costs on the high quality parts necessary to reproduce records accurately. The single speed **RB78** is fitted with a hand assembled **RB202** tonearm and a precision main bearing. The minimalist design of the Rega **RP78** and the use of extremely high quality components ensure that your turntable should last for many years. The tips on the reverse of these instructions will help increase the life of your turntable and ensure optimum performance.

Setting up your RB202 tonearm

With the cartridge mounted correctly and set up using the alignment protractor (supplied). Ensure that the bias adjustment is set to zero. Screw the balance weight along its shaft until the stylus is "floating" just 1mm clear of the record. The arm will naturally try to swing back to rest even with the bias set to zero so it is recommended to support the arm carrier with your other hand allowing only vertical movement during balancing.

The recommended tracking force can now be applied by rotating the balance weight so that it moves towards the front of the arm. Set the tracking weight to the upper limit of the suggested tracking weight provided by your cartridge manufacturers guidelines. A half turn (through 180°) generates 1 gram of tracking pressure. (therefore 360° will apply 2g of downforce). The plastic markers on the balance weight can be used as a guide to accurate rotation.

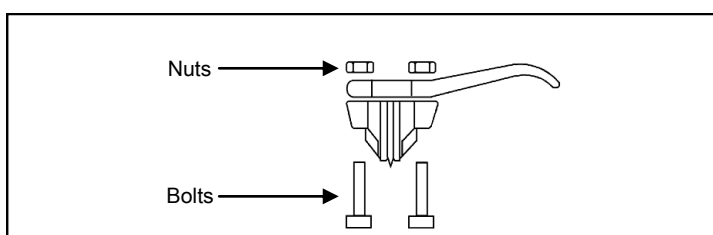
Once balanced you may now apply the recommended bias force by simply moving the slider to the required figure. (see diagram opposite). Bias should be set to the same figure as the tracking weight.

Connection to the amplifier

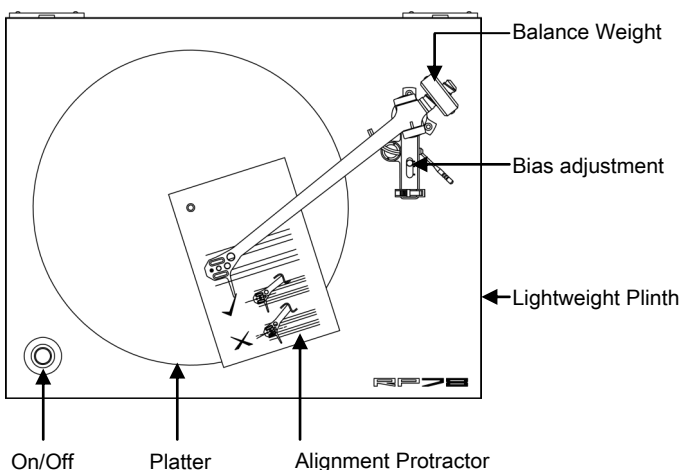
The tonearm external phono leads must be connected to your amplifier. Connect as follows : **Red** right channel / **Black** left channel. If your amplifier does not have an integrated phono stage you will require an external stage to amplify the signal (sold separately).

Cartridge mounting hardware

Ensure the cartridge mounting hardware is fitted correctly. If using the Rega RB78 mono cartridge the nut should be mounted to the top of the tonearm headshell. As shown in the diagram below. **Do not over tighten.**

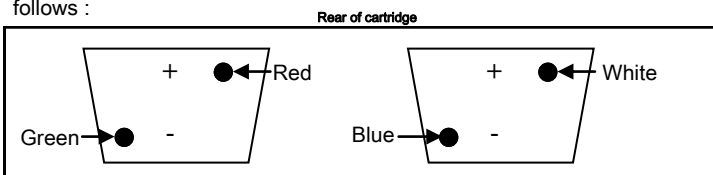


Names of parts :

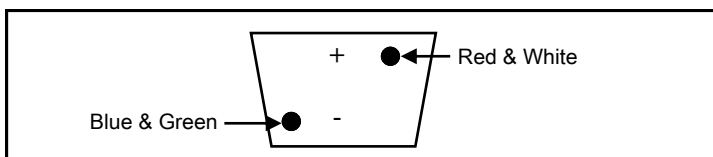


Cartridge connections Rega RB78 (tracks at 1.75g)

The Rega RB78 cartridge is wired internally in series and should be connected in one of the following ways. If your amplifier has a mono switch take either RED and GREEN *or* White and Blue and connect as follows :



If your amplifier does NOT have a mono switch connect both arm wires together and connect as follows :



Mount the turntable on a rigid, level surface. Avoid mounting on hollow or heavy cabinets or anything mounted on a flexible wooden floor. The Rega turntable support is the ideal solution.

Keeping the lid closed while playing records will prevent dust falling on to the record surface and should make cleaning unnecessary. Depending on the room environment and ambient temperature, playing with the lid open may offer sonic improvements. You can experiment to optimise the performance best suited to your room.

Do not use any record cleaner that works while the record is playing or any cleaners that use water or solvents. If you keep your records stored in their sleeves, avoid touching the playing surfaces and keep all water and fluids away, cleaning should not be necessary. Do not worry about visible dust on the record surface, this is brushed aside by the stylus during play. Dust collected on the stylus can be easily blown away. In general, record cleaning is overdone and one should not believe all the claims made by record cleaner manufacturers.

It is recommended to leave the turntable running during a record playing session. Switch on before the session and only switch off after you have finished.

Do not lift the centre hub out from the main bearing. The bearing is factory assembled with a film of special thick lubricant. If the centre hub is removed this film may be disturbed and the accuracy of the turntable could be affected.

The arm earth (or ground) is automatically connected through the arm cable screening. No other earth method should be necessary.

Save the original packing in case you ever need to transport the turntable.

Do not use any polish on the turntable or lid. To clean, wipe gently with a soft cotton duster damp only if required).

Rega turntables are designed to optimise performance for music reproduction and therefore no compromises have been made to give quick start times. The normal time taken for full 78 speed to be achieved is between 10 and 15 seconds.

Warning: Any attempt to repair or modify the turntable or tonearm by persons other than Rega approved personnel may invalidate the guarantee. Should you experience any problem with your turntable please contact your Rega dealer.

Upgrades & accessories for the RP78 turntable

Drive Belt Upgrade

Turntable wall bracket

RB78 Cartridge

Fono MM disc stage

Fono mini USB disc stage

Thank you for purchasing the RP78 turntable. Details of the full Rega range and upgrade path are available on www.rega.co.uk or from your retailer.