



Walk Stand

Standing out perfectly on its lacquered glass base, just like an Egyptian god, the Walk Stand combines dynamics and stability.

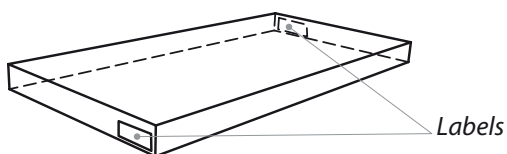
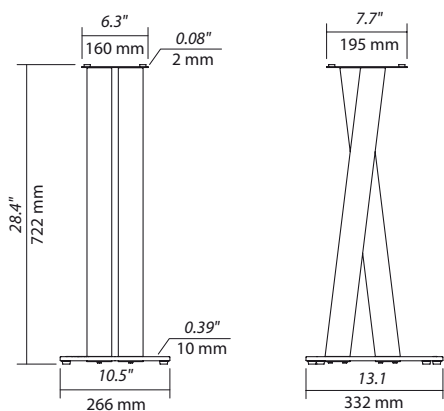
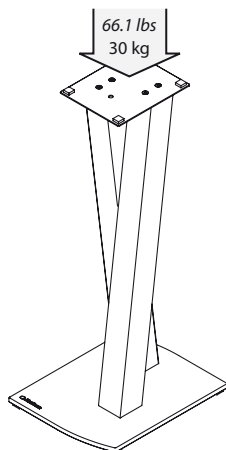
Its original design will highlight the speakers you'll place on its summit.

You'll be able to hide your cables inside one of the tubes, no matter their diameter and preserve your Walk Stand elegant line.

The plates are equipped with absorbing feet and soft adhesive pads that will allow you to place your speaker very safely. They will provide the necessary decoupling for a perfect speaker functioning.



SPECIFICATIONS



DESIGN

Finish: Glossy Black/Black

Structure: Glossy black powder coated steel

Upper plate: Glossy black powder coated steel

Lower plate: Black tempered glass

Miscellaneous: – Cable management system
– Rubber pads

MAXIMUM LOAD

Speaker stand: 66.1 lbs / 30 kg

USABLE DIMENSIONS

Overall dimensions (W x H x D):

10.5" x 28.4" x 13.1" / 266 x 722 x 332 mm

Upper plate (W x D): 6.3" x 7.7" / 160 x 195 mm

Lower plate (W x D): 10.5" x 13.1" / 266 x 332 mm

PACKAGING

Delivered disassembled with screws kit, mounting instructions and tools

Quantity/box: 2

Type: White cardboard

Dimensions (W x H x D):

30.7" x 4.8" x 14.3" / 780 x 123 x 362 mm

Gross weight: 31.5 lbs / 14,3 kg

Net weight: 27.1 lbs / 12,3 kg

GenCode: 3760108801738