

ELECTRA IC1002

Product Data Sheet



In-Ceiling adaptation of the IW1002, the Electra IC1002 is a high-end loudspeaker, equipped with an exclusive coaxial driver, featuring a 'W' cone and an Al/Mg tweeter, for maximum musicality and power handling. Perfect for a quality main system or as a high-end In-Ceiling effect speaker.

6.5" (16.5cm) 'W' cone midbass.
Exclusive composite sandwich.
Unequaled rigidity and neutrality.



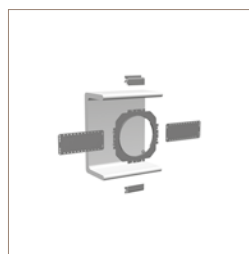
OPC filtering, phase optimal control.
Tweeter level adjustments.
Wall Boost Control.



Coaxial Aluminum/Magnesium inverted dome tweeter.
Response up to 30kHz.



Grille and frame ready-to-paint.
Aluminum grille, reinforced ABS frame.
Total integration.

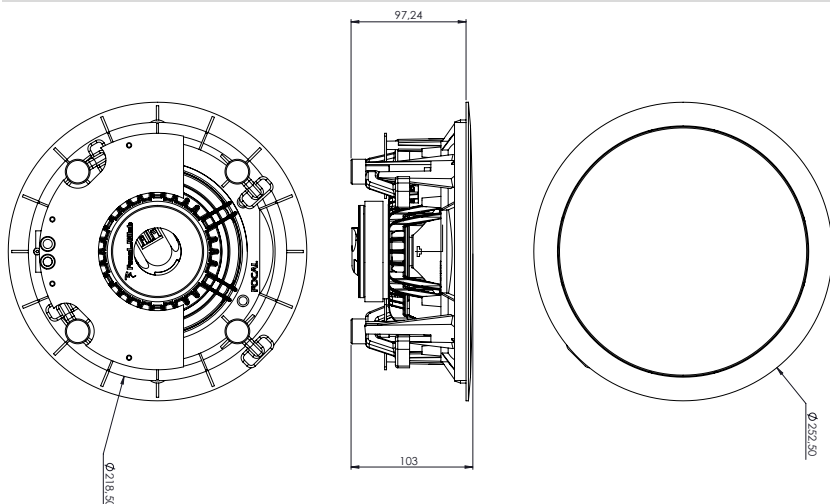


Key features

- 'Made In France'
- Excellent power handling and high efficiency
- Easy and quick installation
- Optional mounting kit (for ceilings under construction)

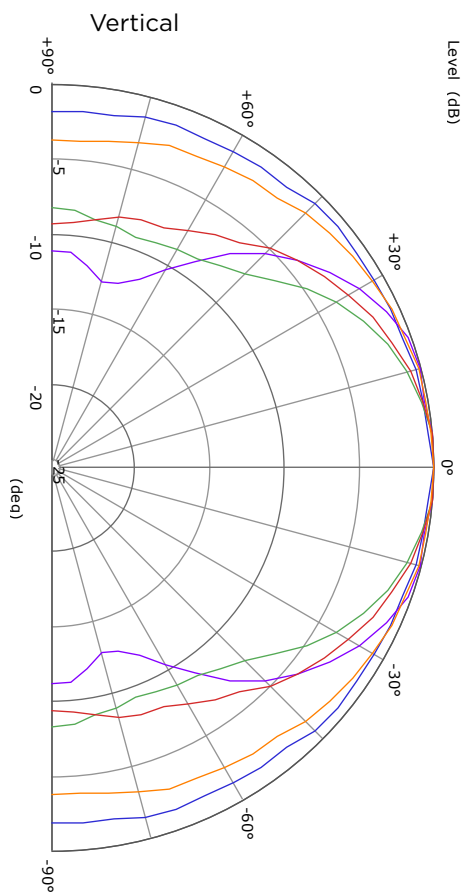
| Type | 2-way In-Ceiling speaker |
|---|--|
| Drivers | 6 ¹ / ₂ " (16.5cm) 'W' midbass. 1" (25mm) Al/Mg inverted dome tweeter |
| Frequency response (±3dB) | 60Hz-30.5kHz |
| Sensitivity (2.83V/1m) | 88dB |
| Nominal impedance | 8Ω |
| Recommended amplifier power | 25-150W |
| Tweeter adjustment | -3dB / 0dB / +3dB |
| Crossover frequency | 2,600Hz |
| Frame size: - with grille - without grille | Ø10 x 3 ³ / ₄ " (Ø253 x 96mm) |
| Cut-out dimensions | Ø8 ¹¹ / ₁₆ " (221mm) |
| Depth from wall | 3 ⁵ / ₈ " (92mm) |
| Net weight | 4.6lbs (2.1kg) |

Dimensions

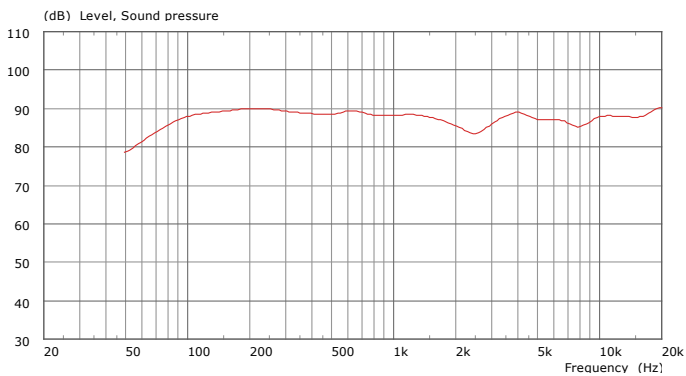


Directivity Measurements

- Curve at: 500 Hz
- Curve at: 1 kHz
- Curve at: 2 kHz
- Curve at: 4 kHz
- Curve at: 8 kHz



Frequency Response



Electra IC1002 Speaker level Calculation Table

| Power/Distance | 1 m | 2 m | 5 m |
|----------------|-------|------|------|
| 1W (2.83V) | 88dB | 82dB | 74dB |
| 10W (8.94V) | 98dB | 92dB | 84dB |
| 20W (12.6V) | 101dB | 95dB | 87dB |
| 30W (15.5V) | 103dB | 97dB | 89dB |

| Summary | 125 Hz | 250 Hz | 500 Hz | 1kHz | 2kHz | 4kHz | 8kHz |
|-----------------------|--------|--------|--------|------|------|------|------|
| NPA(2.83V/1m)(dB) | 89 | 89 | 89 | 88 | 86 | 88 | 86 |
| Opening Angle at -6dB | 180° | 180° | 180° | 180° | 100° | 80° | 100° |