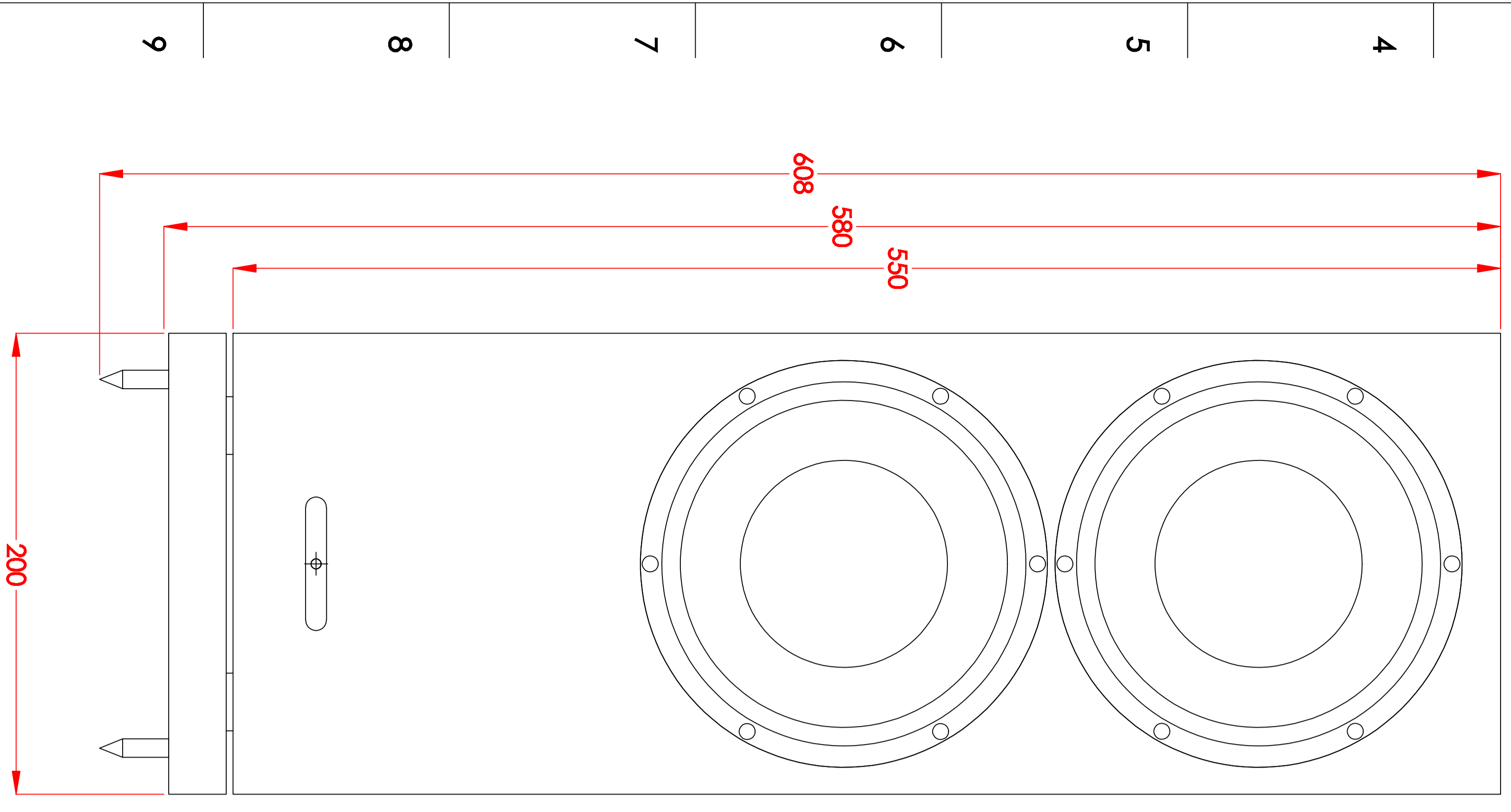
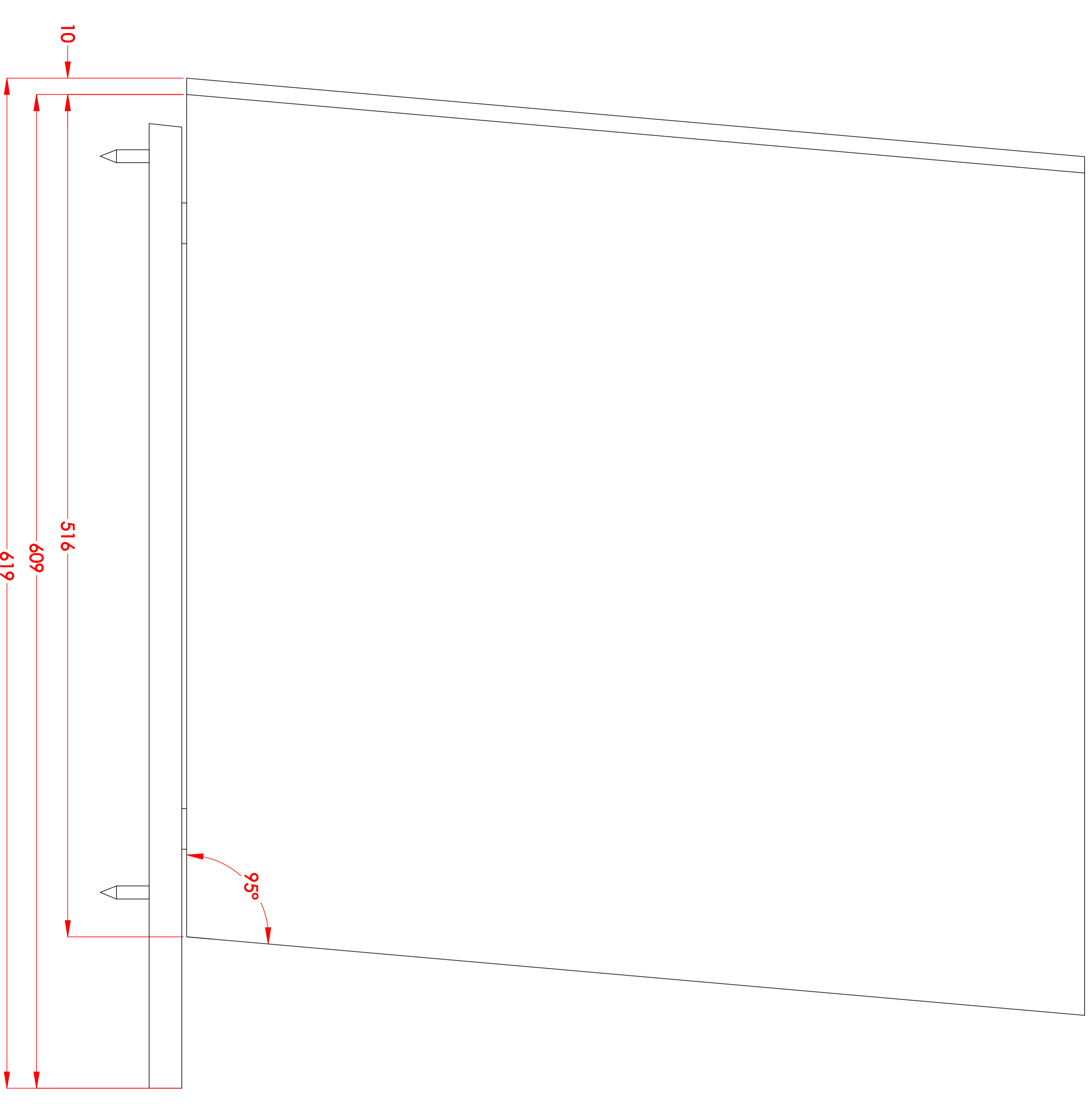


1 A B C D E F G H J K

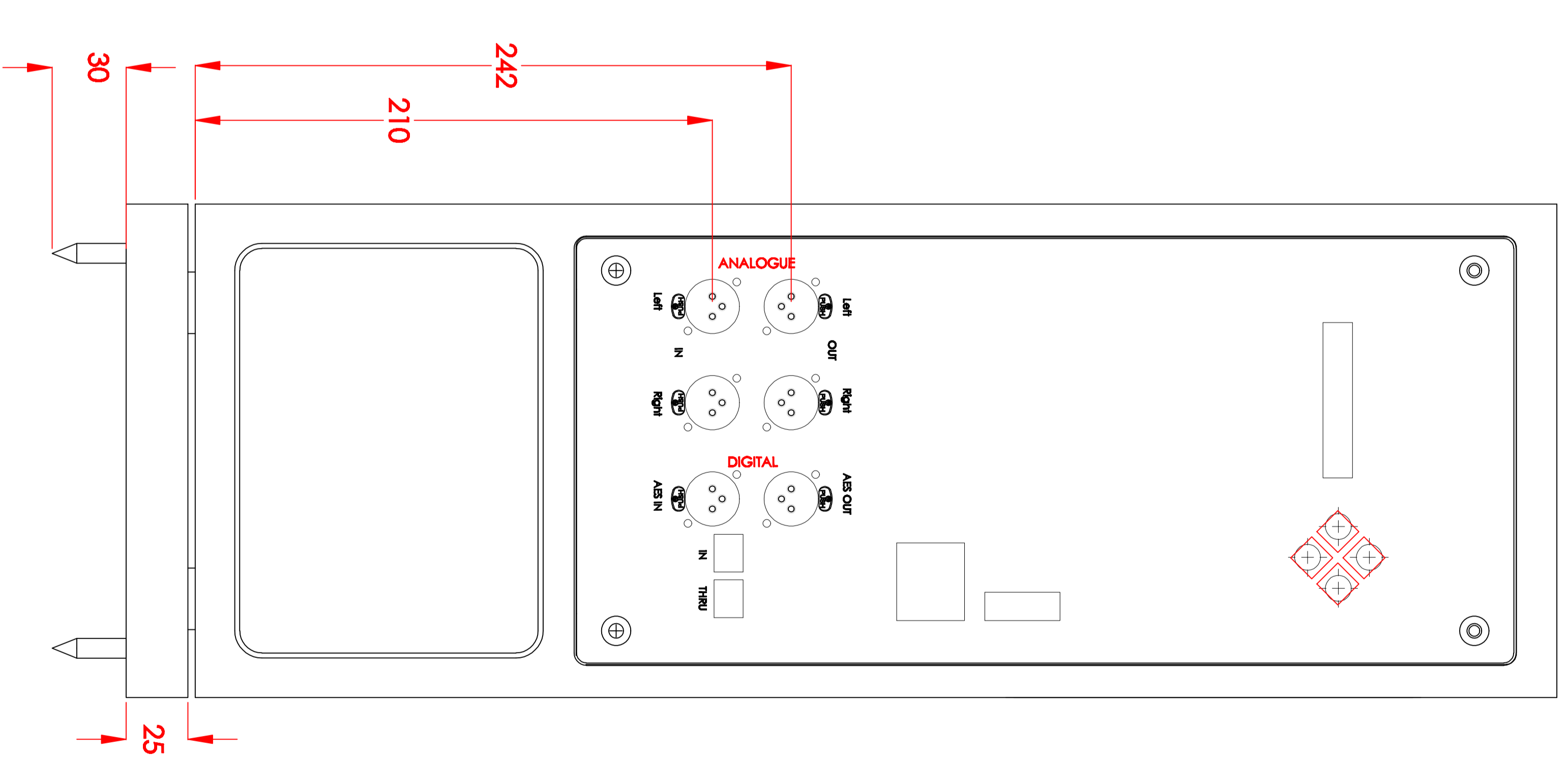
FRONT



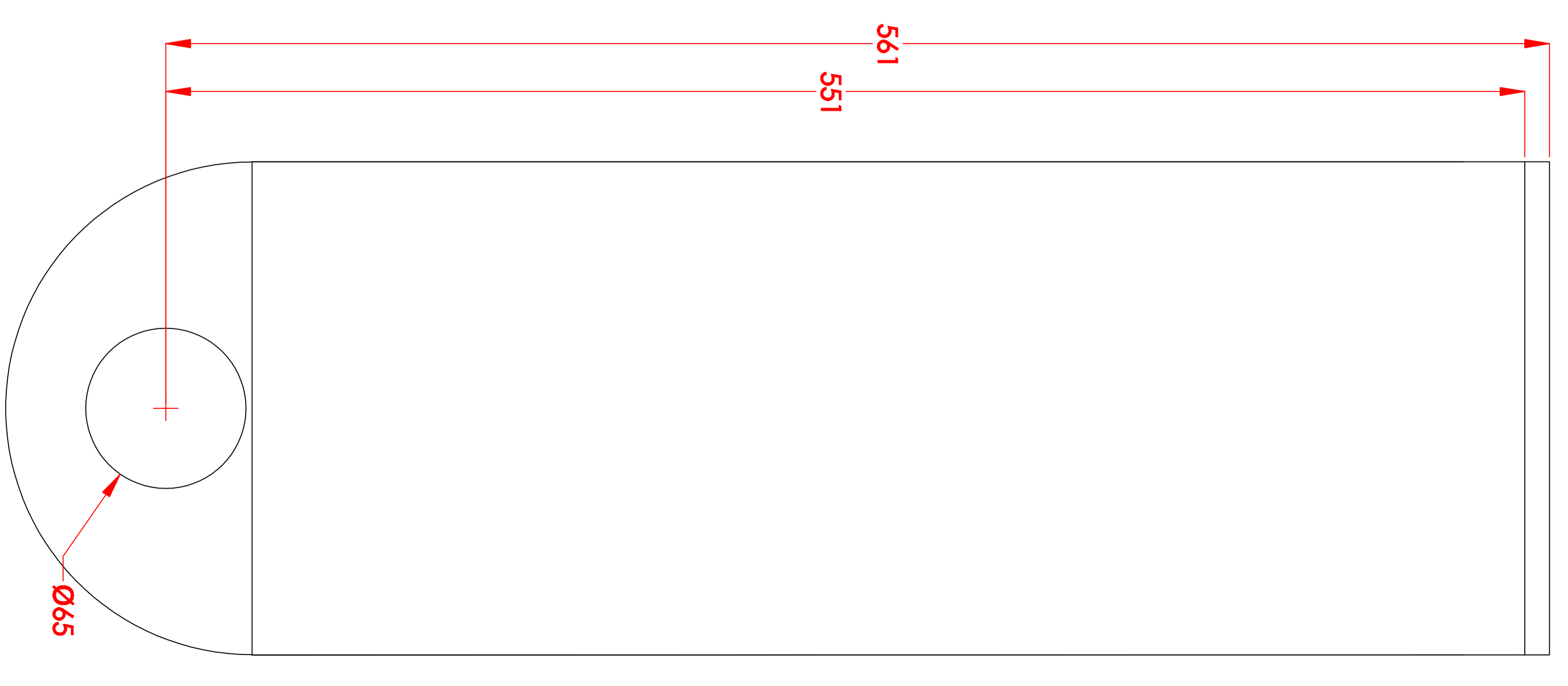
SIDE



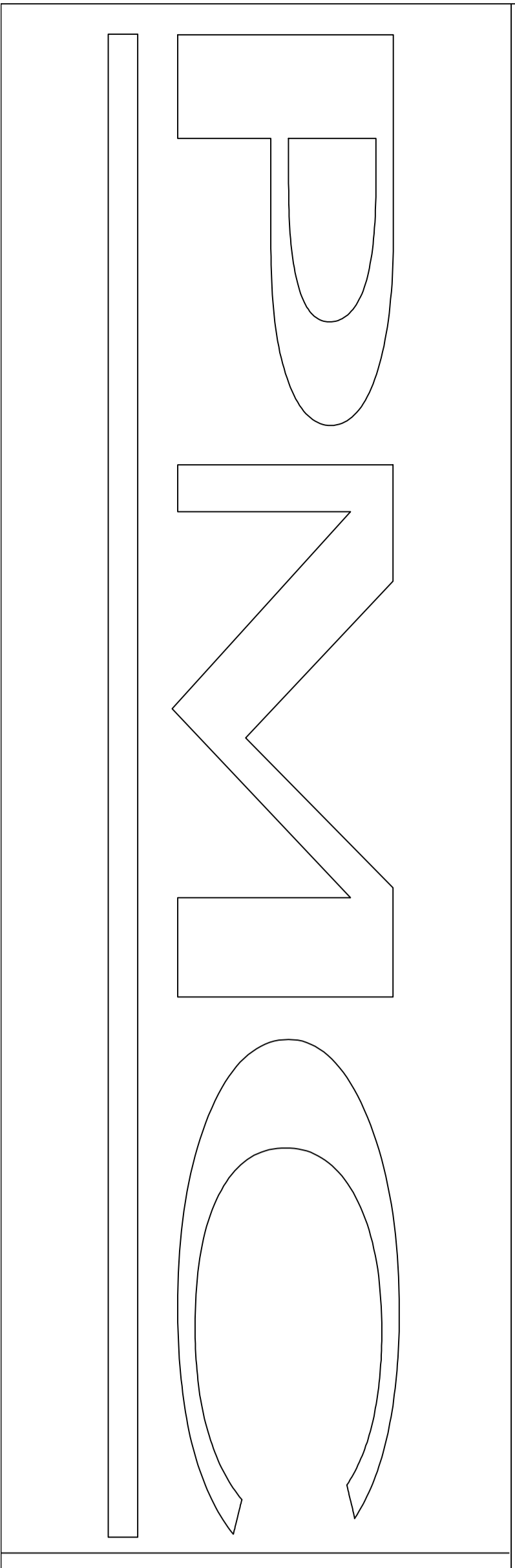
BACK



TOP



ALL DIMENSIONS IN MILLIMETRES



THE PROFESSIONAL MONITOR COMPANY
 43-45 Crawley Green Road
 Luton, Bedfordshire LU2 0AA
 TEL: 0870 4441044 FAX: 0870 4441045

ORIGINAL	DATE	INIT
APPROVED	13/01/14	OT
ISSUE 1	30/01/15	PM
ISSUE 2		
ISSUE 3		

All tolerances
 +/-0.2mm unless
 otherwise specified

PROJECT
Twenty Sub

TITLE
Twentysub Outer Dims

DRAWING NO.
SUB1-N1

SHEET